

TOWN COUNCIL AGENDA
November 7, 2019
7:00 P.M.

The Town Council meeting will be held in the Moose Hill Council Chambers, Town Hall, 268B Mammoth Road, Londonderry, NH. Regular meetings are cablecast live and videotaped for the convenience of our viewers at home. 7:00 PM.

A. CALL TO ORDER

B. PUBLIC COMMENT

C. PUBLIC HEARING

D. OLD BUSINESS

1.) Budget Workshop

2.) Old Home Day Discussion
Presented by Lisa Drabik

E. NEW BUSINESS

1.) **Ordinance #2019-06** – An Amendment to the Zoning Ordinance Relative to Rezoning Map 14, Lot 45A
(First Reading)

2.) **Order #2019-25** – An Order Relative to the Distribution of Fire Capital Reserve Funds
Presented by Chief O'Brien

F. APPROVAL OF MINUTES

Approval of October 28, 2019 Town Council Minutes

G. APPOINTMENTS/REAPPOINTMENTS

H. OTHER BUSINESS

1. Liaison Reports
2. Town Manager Report
3. Assistant Town Manager Report

I. ADJOURNMENT

J. MEETING SCHEDULE

- A. Town Council Meeting – 11/25/19 Moose Hill Council Chambers, 7:00PM
- B. Town Council Meeting – 12/09/19 Moose Hill Council Chambers, 7:00PM
- C. Town Council Meeting – 12/16/19 Moose Hill Council Chambers, 7:00PM
- D. Town Council Meeting – 01/06/20 Moose Hill Council Chambers, 7:00PM

First Reading: 11/7/2019
Second Reading/Public Hearing: 11/25/2019
Adopted: 11/25/2019

ORDINANCE #2019-06
AN AMENDMENT TO THE ZONING ORDINANCE RELATIVE TO
REZONING MAP 14, LOT 45A

WHEREAS the Planning Board has received a request to rezone the above-referenced parcel from Industrial-II (IND-II) to Gateway Business (GB); and

WHEREAS the Planning Board has recommended that the Town Council act favorably upon the request; and

WHEREAS the requested rezoning will make the zoning of this lot consistent with the adjacent lots to the north and west; and

WHEREAS the requested rezoning is consistent with the purpose and intent of the Gateway Business District and the Londonderry Zoning Ordinance;

NOW THEREFORE BE IT ORDAINED by the Town Council of the Town of Londonderry that the Town Zoning Ordinance be amended to reflect the rezoning of Map 14, Lot 45A to Gateway Business, to become effective upon passage by the Town Council.

John Farrell - Chairman
Town Council

Sharon Farrell
Town Clerk

(TOWN SEAL)

A TRUE COPY ATTEST:
11/25/2019

ORDER 2019 - 25

An order relative to
The Distribution of Fire Equipment Capital Reserve Funds

First Reading: 11/07/19
Second Reading: Waived
Adopted: 11/07/19

WHEREAS the Town of Londonderry, by adoption of Warrant Article 6 at the March 13, 2012, established the Fire Equipment Capital Reserve and authorized the Town Council as agents to expend from this capital reserve, and;

WHEREAS the Fire Department desires to purchase one (1) Gear Extractor, one (1) Gear Dryer, thirteen (13) Mobile Defibrillators, and four (4) Fixed Defibrillators; and

WHEREAS the Fire Department will determine the best vendors for the purchase of the aforementioned equipment and request a \$42,284.92 withdrawal from the Fire Equipment Capital Reserve to cover the cost of these items; and

WHEREAS there is sufficient funds in the Fire Equipment Capital Reserve for the purchase of the aforementioned equipment;

NOW THEREFORE BE IT ORDERED by the Londonderry Town Council that the Finance Department is hereby directed and authorized to expend from the Fire Department Equipment Reserve Fund the sum \$42,284.92.

John Farrell - Chairman
Town Council

Sharon Farrell - Town Clerk

(TOWN SEAL)

A TRUE COPY ATTEST:
11/07/2019



59 Allied Drive, Dedham, MA 02026-6100
 phone (781) 320-0030 fax (781) 320-0051
 e-mail: contactus@lifesupportsystems.com
www.lifesupportsystems.com

Quotation

Tax ID # 042895142

Date	Quote
11/5/2019	522343
Coverage Period	

Prepared for:
 Londonderry Fire Department
 Attn: Accounts Payable
 280 Mammoth Road
 Londonderry, NH 03053

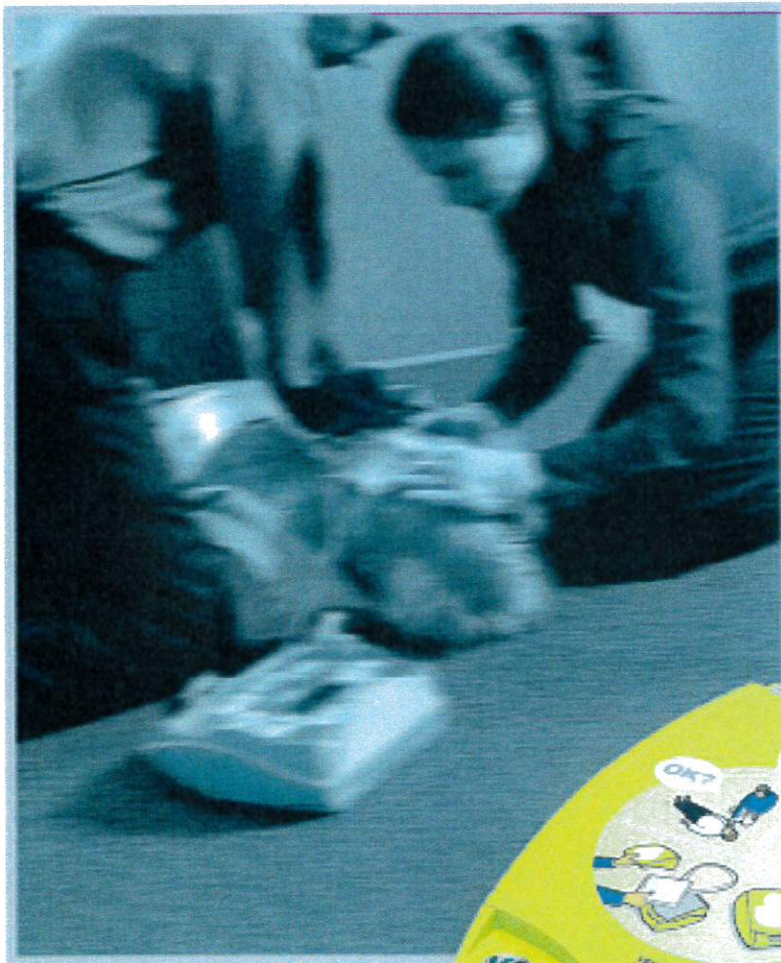
Ship to:
 Londonderry Fire Department
 Attn: Darren O'Brien
 280 Mammoth Road
 Londonderry, NH 03053

Item	Description	Qty	Cost	Total
21400...	Part#: 21400010101011010 ZOLL AED Plus (New): Includes: (1) Pre-connected Adult CPR-D Electrode Pad, CPR/AED Responder Kit, (1) Sleeve of 10 Lithium Batteries, Starter Toolkit, Facility Equipped Decals, Inspection Tag, and 7 Year Warranty.	4	1,145.00	4,580.00
37407B	Part#: 37407B Carry Case, ZOLL AED Plus	4	0.00	0.00
HST-...	Part#: HST-CAB-LA Wall Cabinet, AED - Surface Mount (Metal/White) with Alarm and AED Wall Sign	4	0.00	0.00
21400...	Part#: 21400010101011010 ZOLL AED Plus (New): Includes: (1) Pre-connected Adult CPR-D Electrode Pad, CPR/AED Responder Kit, (1) Sleeve of 10 Lithium Batteries, Starter Toolkit, and 7 Year Warranty.	13	1,045.00	13,585.00
37407B	Part#: 37407B Carry Case, ZOLL AED Plus	13	0.00	0.00
9000	Part#: 9000 Shipping/Handling/Insurance (Included)		0.00	0.00
Client Contact Information: Darren O'Brien (603)216-7977 Cell (603)432-1100 Ext 387 dobrien@londonderrynh.org				

Title to purchased equipment will transfer from Life Support Systems (LSS) to Purchaser upon payment in full and LSS retains a security interest in said equipment until LSS receives payment.	Sales Tax (0.0%)	\$0.00
	Total	\$18,165.00

AED Plus Technical Application Note

Automated External Defibrillator with Real CPR Help



TO ORDER CALL:

"World's Largest AED Source"

AEDSuperstore[®]

an Allied 100[™] company

800.544.0048
help@aed.com



www.AEDSuperstore.com

1800 US Hwy 51 N • Woodruff, WI 54568 • 715.358.2329

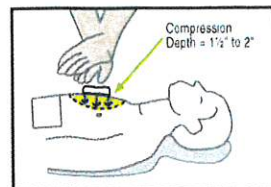
ZOLL[®]

Advancing Resuscitation. Today.™



Measuring Chest Compression with Real CPR Help

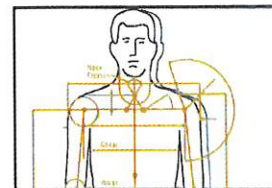
Failure to adequately compress a victim's chest is a common error during CPR.^{1,2} The force required to properly compress a victim's chest 1 1/2 - 2 inches varies depending on the patient's build and anatomy. Until now, only force and pressure sensors have been available. Real CPR Help technology in ZOLL's **CPR-D•padz**⁴ includes a hand-placement locator, an accelerometer, electronics, and a sophisticated processing algorithm. This technology accurately measures chest compressions and converts the motion of the accelerometer over time into distance moved. Only Real CPR Help can help an infrequent rescuer correct and improve compressions in real-time as CPR is performed during the rescue.



Real CPR Help[®] provides unique assistance to rescuers with real-time feedback on CPR compression depth and rate.

One Electrode Size Fits All

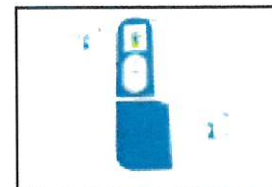
A one-piece electrode design must account for anatomical variation in the patient population. The design of ZOLL's **CPR-D•padz** is based on extensive human anthropometric data and studies designed to accommodate the wide range of patient sizes and shapes and to ensure that a one-piece electrode meets the needs of emergency AED use. The design developed for the **CPR-D•padz** meets the anthropometric characteristics of 99% of human chest anatomy. A special feature lets the rescuer separate the apex (lower) electrode to cover the other 1% of the population whose anatomical variations require special adaptation.



ZOLL's one-piece **CPR-D•padz** are designed to fit 99% of the population's chest anatomy.

Simplified Electrode Placement

Simplifying electrode placement is critical to widespread use of AEDs. Labeling helps but is often overlooked or discarded in an emergency that is sudden and unanticipated. The infrequent rescuer is easily confused when looking at a victim as to "left," "right," "up," and "down." Two separate electrodes cause concern over incorrect placement and technical complications if electrodes stick together before being placed correctly on the patient. The unique one-piece design of ZOLL's **CPR-D•padz** addresses these problems by orienting the design to the head while using the easily remembered CPR landmark (the sternum) as the key placement cue. The backing of the electrode is then removed by a simple pull after positioning. Because this is the same placement taught for CPR hand position, AED users benefit from having to remember only one easy landmark for both interventions.



CPR-D•padz offer clear anatomical placement illustrations and a CPR hand positioning landmark.

Five-Year Shelf Life

Infrequently used AEDs need electrodes that do not require frequent replacement. Most AED electrodes will expire before they are used. Corrosion of the electrode element due to long-term contact with ionic gel is the main limitation of electrode shelf life. ZOLL's **CPR-D•padz** protect the electrode elements with a novel design that sacrifices a non-critical element in the electrode to control the corrosion process and allow an unmatched five-year AED electrode life. ZOLL's **CPR-D•padz** reduce electrode replacement costs, facilitates AED readiness and maintenance, and decrease the probability of an AED's failure due to electrode expiration.



CPR-D•padz come complete with rescue essentials including a barrier mask, a razor, scissors, disposable gloves, and a towelette.

ZOLL Medical Corporation Worldwide Headquarters

269 Mill Road
Chelmsford, MA 01824
978-421-9655
800-348-9011

ZOLL International Offices

Australia
+61 2 8424 8700
www.zoll.com.au

Austria
+43 650 413 6222
www.zollmedical.at

Canada
905-629-5005
www.zoll.com

China
+86 21 6226 9505
www.zoll.com

France
+33 (1) 30 05 14 98
www.zoll.fr

Germany
+49 2236 87 87 0
www.zollmedical.de

Middle East and Africa,
+96 278 800 4411
www.zoll.com

The Netherlands
EU Authorized Representative
+31 (0) 488 41 11 83
www.zoll.nl

Russia
+7495 936 2338
www.zoll.com

United Kingdom
+44 (0) 1928 595 160
www.zoll.com

For subsidiary addresses and fax numbers, as well as other global locations, please go to
www.zoll.com/contacts

Specifications

DEFIBRILLATOR

Waveform: Rectilinear Biphasic
Defibrillator Charge Hold Time: 30 seconds
Energy Selection: Automatic preprogrammed selection (120J, 150J, 200J)
Patient Safety: All patient connections are electrically isolated.
Charge Time: Less than 10 seconds with new batteries.
Electrodes: ZOLL **CPR-D•padz**, **pedi•padz**[®] II or **stat•padz**[®] II
Built-in Defibrillator Self Test: Included
CPR Metronome Rate: Variable 60 to 100 CPM
Depth: 1/2" to 3", 1.3 to 7.8 cm.
Defibrillation Advisory: Evaluates electrode connection and patient ECG to determine if defibrillation is required.
Shockable Rhythms: Ventricular fibrillation with average amplitude >100 microvolts and wide complex ventricular tachycardia with rates greater than 150 BPM for adults, 200 BPM for pediatrics. For ECG Analysis Algorithm sensitivity and specificity, refer to AED Plus Administrator's Guide
Patient Impedance Measurement Range: 0 to 300 ohms
Defibrillator Protected ECG Circuitry
Display Format: Optional LCD with Moving Bar
Size: 2.6" x 1.3"; 6.6 cm x 3.3 cm

Viewing Time: 2.6 seconds
Display Sweep Speed: 25 mm/sec; 1"/sec
Battery Capacity: Typical new (20 °C) = 5 years (300 shocks) or 13 hours continuous monitoring. End of life designated by Red X (typical remaining shocks = 100, 5 hours continuous monitoring)
PC Minimum Requirements For Configuration And Patient Data Recovery: Windows[®] 98, Windows[®] 2000, Windows[®] NT, Windows[®] XP, IBM compatible PII with 16550 UART (or higher) computer, 64MB RAM, VGA monitor or better, CD-ROM drive, IrDA port, 2MB disk space

DEVICE

Size: (H x W x D) 5.25" x 9.50" x 11.50", 13.3 cm x 24.1 cm x 29.2 cm
Weight: 6.7 lbs., 3.1 kg
Power: User Replaceable Batteries, 10 -Type 123A Photo Flash lithium manganese dioxide batteries.
Device Classification: Class II and internally powered per EN60601-1
Design Standards: Meets applicable requirements of UL 2601, AAMI DF-39, IEC 601-2-4, EN60601-1, IEC60601-1-2.

ENVIRONMENT

Operating Temperature: 32° to 122°F; 0° to 50°C
Storage Temperature: -22° to 140°F; -30° to 60°C

Humidity: 10 to 95% relative humidity, non-condensing
Vibration: MIL Std. 810F, Min. Helicopter Test
Shock: IEC 68-2-27, 100G
Altitude: 300 to 15,000 ft., -91m to 4573m
Particle and Water Ingress: IP-55

CPR-D•padz

Shelf Life: 5 years
Conductive Gel: Polymer Hydrogel
Conductive Element: Tin
Packaging: Multilayer foil laminate pouch
Impedance Class: Low
Cable Length: 43 in (1.1 m)
Sternum: Length 6.1 in (15.5 cm), Width 5.0 in (12.7 cm); Length, conductive gel: 3.5 in (8.9 cm), Width, conductive gel: 3.5 in (8.9 cm), Area, conductive gel: 12.3 sq in (79.0 sq cm)
Apex: Length 6.1 in (15.5 cm), Width 5.6 in (14.1 cm); Length, conductive gel: 3.5 in (8.9 cm), Width, conductive gel: 3.5 in (8.9 cm), Area, conductive gel: 12.3 sq in (79.0 sq cm)
Complete assembly: Folded Length 7.6 in (19.4 cm), Folded width: 7.0 in (17.8 cm), Folded height: 1.5 in (3.8 cm)
Design standards: Meets applicable requirements of ANSI/AAMI/ISO DF-39-1993.

Mosser DK, Dracup K, Guzy PM, Taylor SE, Blev C. Cardiopulmonary resuscitation skills retention in family members of cardiac patients. *American Journal of Emergency Medicine*. 1990;498-503
Kern KB, Hillwig RW, Berg RA, Ewy GA. Efficacy of chest compression-only BLS CPR in the presence of an occluded airway. *Resuscitation*. 1998;39:179-180.
Handley AJ, Handley JA. The relationship between rate of chest compression and compression relaxation ratio. *Resuscitation*. 1995;30:237-241
Kern KB, Hillwig RW, Berg RA, Ewy GA. Efficacy of chest compression-only BLS CPR in the presence of an occluded airway. *Resuscitation*. 1990;498-503
Kern KB, Hillwig RW, Berg RA, Ewy GA. Efficacy of chest compression-only BLS CPR in the presence of an occluded airway. *Resuscitation*. 1998;39:179-180.
Handley AJ, Handley JA. The relationship between rate of chest compression and compression relaxation ratio. *Resuscitation*. 1995;30:237-241.



Specifications subject to change without notice

©2007 ZOLL Medical Corporation. All rights reserved. "Advancing Resuscitation Today" is a trademark of ZOLL Medical Corporation. AED Plus, **CPR-D•padz**, **pedi•padz**, Real CPR Help, **stat•padz**, and ZOLL are registered trademarks of ZOLL Medical Corporation. Printed in U.S.A. 120720 9856-0158



AED Plus®

Technical Specifications



Measuring Chest Compression with Real CPR Help

The force required to depress the chest during CPR varies with the patient's size and build. The standard measure of chest compression quality, however, is not force but depth. The Real CPR Help® technology in ZOLL's CPR-D-padz® includes a hand-placement locator, an accelerometer, electronics, and a processing algorithm that work together to measure vertical displacement in space as each compression occurs.

One Size Fits All

ZOLL's one-piece electrode design accounts for anatomical variation. Based on extensive human data, CPR-D-padz meet the anthropometric chest characteristics of 99% of the population. If needed, the lower (apex) electrode can be separated and adjusted to accommodate the remaining 1% of the population.

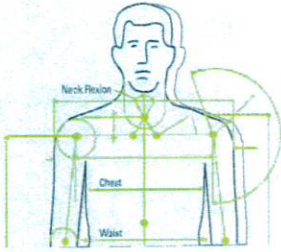
Simplified Placement

Affixing two separate electrode pads to the patient's bare chest can be confusing to a lay rescuer. ZOLL's CPR-D-padz simplify this step by guiding placement of the red crosshairs at the center of the imaginary line connecting the patient's nipples. Once in place, the hand-locator and the two electrode pads fall naturally into optimal position for both defibrillation and CPR.

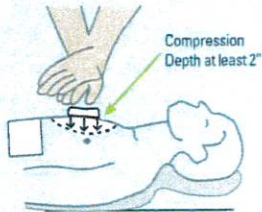
Five-Year Shelf Life

All AED electrodes transmit defibrillating electricity into the patient via metal in close contact with a salt-infused gel that is positioned between the metal and the skin. Over time, however, the salt in the gel will corrode the metal and eventually compromise electrode functionality. ZOLL's novel electrode design includes a sacrificial element that prevents significant corrosion for five years, which is unmatched in the market today.

AED Plus Specifications



Real CPR Help® provides unique assistance to rescuers with real-time feedback on CPR compression depth and rate.



ZOLL's one-piece CPR-D-padz is designed to fit 99% of the population's chest anatomy.



CPR-D-padz offers clear anatomical placement illustrations and a CPR hand positioning landmark.



CPR-D-padz comes complete with rescue essentials, including a barrier mask, a razor, scissors, disposable gloves, and a towelette.

**ADVANCING
RESUSCITATION.
TODAY.®**

ZOLL Medical Corporation
Worldwide Headquarters
269 Mill Road
Chelmsford, MA 01824
978-421-9655
800-348-9011

Defibrillator

Waveform: Rectilinear Biphasic

Defibrillator Charge Hold Time:
30 seconds

Energy Selection: Automatic
preprogrammed selection
(120J, 150J, 200J)

Patient Safety: All patient
connections are electrically
isolated

Charge Time: Less than 10
seconds with new batteries

Electrodes: ZOLL CPR-D-padz,
pedi-padz® II or stat-padz® II

Self-test: Configurable automatic
self-test from 1 to 7 days.
Default = every 7 days. Monthly
full-energy test (200J).

Automatic Self-Test Checks:
Battery capacity, electrode
connection, electrocardiogram
and charge/discharge circuits,
microprocessor hardware and
software, CPR circuitry and CPR-D
sensor, and audio circuitry

CPR: Metronome Rate: Variable
60 to 100 CPM

Depth: 3/4" to 3.5"; 1.9 to 8.9 cm

Defibrillation Advisory: Evaluates
electrode connection and patient
ECG to determine if defibrillation
is required

Shockable Rhythms:
Ventricular fibrillation with
average amplitude >100
microvolts and wide complex
ventricular tachycardia with
rates greater than 150 BPM for
adults, 200 BPM for pediatrics.
For ECG Analysis Algorithm
sensitivity and specificity, refer to
AED Plus Administrator's Guide.

**Patient Impedance Measurement
Range:** 0 to 300 ohms

Defibrillator: Protected ECG
circuitry

Display Format: Optional LCD
with moving bar

Size: 2.6" x 1.3"; 6.6 cm x 3.3 cm

Optional ECG Viewing Window:
2.6 seconds

**Optional ECG Display Sweep
Speed:** 25 mm/sec; 1"/sec

Battery Capacity: Typical new
(20°C) = 5 years (225 shocks) or 13
hours continuous monitoring. End
of life designated by Red X (typical
remaining shocks = 9).

Data Recording and Storage:
50 minutes of ECG and CPR data.
If audio recording option is
installed and enabled, 20 minutes
of audio recording, ECG, and CPR
data. If audio recording is disabled,
7 hours of ECG and CPR data.

**PC Minimum Requirements
For Configuration and Patient
Data Recovery:** Windows® 98,
Windows® 2000, Windows® NT,
Windows® XP, Windows® 7, IBM-
compatible PII with 16550 UART
(or higher) computer. 64MB RAM.
VGA monitor or better. CD-ROM
drive. IrDA port. 2MB disk space.

Device

Size: (H x W x D) 5.25"x 9.50" x
11.50"; 13.3 cm x 24.1 cm x 29.2 cm

Weight: 6.7 lbs; 3.1 kg

Power: User-Replaceable Batteries.
10 Type 123A Photo Flash lithium
manganese dioxide batteries

Device Classification: Class II and
internally powered per EN60601-1

Design Standards: Meets
applicable requirements of UL
2601, AAMI DF-39, IEC 601-2-4,
EN60601-1, IEC60601-1-2

Environmental

Operating Temperature:
32° to 122°F; 0° to 50°C

Storage Temperature:
-22° to 140°F; -30° to 60°C

Humidity: 10 to 95% relative
humidity, non-condensing

Vibration: MIL Std. 810F, Min.
Helicopter Test

Shock: IEC 68-2-27; 100G

Altitude: -300 to 15,000 ft.;
-91 m to 4573 m

Particle and Water Ingress:
IP-55

CPR-D-padz

Shelf Life: 5 years

Conductive Gel: Polymer Hydrogel

Conductive Element: Tin

Packaging: Multilayer foil
laminated pouch

Impedance Class: Low

Cable Length: 48 in (1.2 m)

Sternum: Length: 6.1 in (15.5 cm);
Width: 5.0 in (12.7 cm); Length,
conductive gel: 3.5 in (8.9 cm);
Width, conductive gel: 3.5 in
(8.9 cm); Area, conductive gel:
12.3 sq in (79.0 sq cm)

Apex: Length: 6.1 in (15.5 cm);
Width: 5.6 in (14.1 cm); Length,
conductive gel: 3.5 in (8.9 cm);
Width, conductive gel: 3.5 in
(8.9 cm); Area, conductive gel:
12.3 sq in (79.0 sq cm)

Complete Assembly: Folded
Length: 7.6 in (19.4 cm); Folded
width: 7.0 in (17.8 cm); Folded
height: 1.5 in (3.8 cm)

Design Standards: Meets
applicable requirements of
ANSI/AAMI/ISO DF-39-1993

FIRE TECH & SAFETY OF NEW ENGLAND, INC.
 100 Business Park Dr., Unit 6
 Tyngsborough, MA 01879
 1-800-256-8700 Fax (978) 649-6833

Quote

Date	Quote #
10/11/2019	187538

Name / Address
LONDONDERRY FIRE DEPT-NH 280 MAMMOTH RD. LONDONDERRY, NH 03053



Project	Terms	Rep
	Net 30	D&B

Qty	Description	Unit Price	Total
1	RAM AIR 6 UNIT AMBIENT AND HEATED IR TURNOUT GEAR DRYER WITH TOUCHSCREEN CONTROL	9,598.00	9,598.00
2	RAM AIR 4-UNIT AMBIENT AND HEATED IR AIR TURNOUT GEAR DRYER WITH TOUCHSCREEN CONTROL AS PER MASS STATE BID FIR-04	8,905.00	17,810.00
1	RAM GEAR IS A FTS SOLE SOURCE VENDOR SHIPPING & HANDLING SHIPPING BETWEEN 300-500 PER UNIT REQUIRES 220 VOLT PLUG	0.00	0.00

Total		\$27,408.00
--------------	--	-------------



DRY GEAR **FAST.**



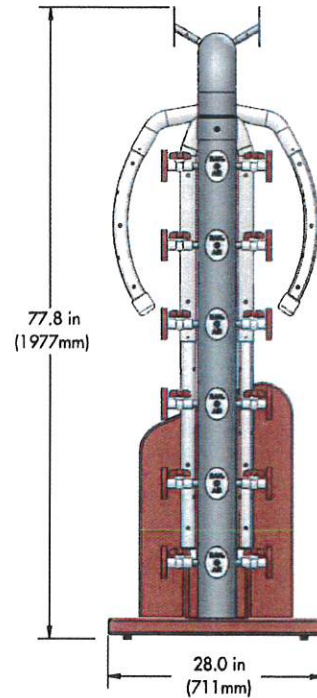


RAM AIR GEAR DRYER SPECIFICATIONS

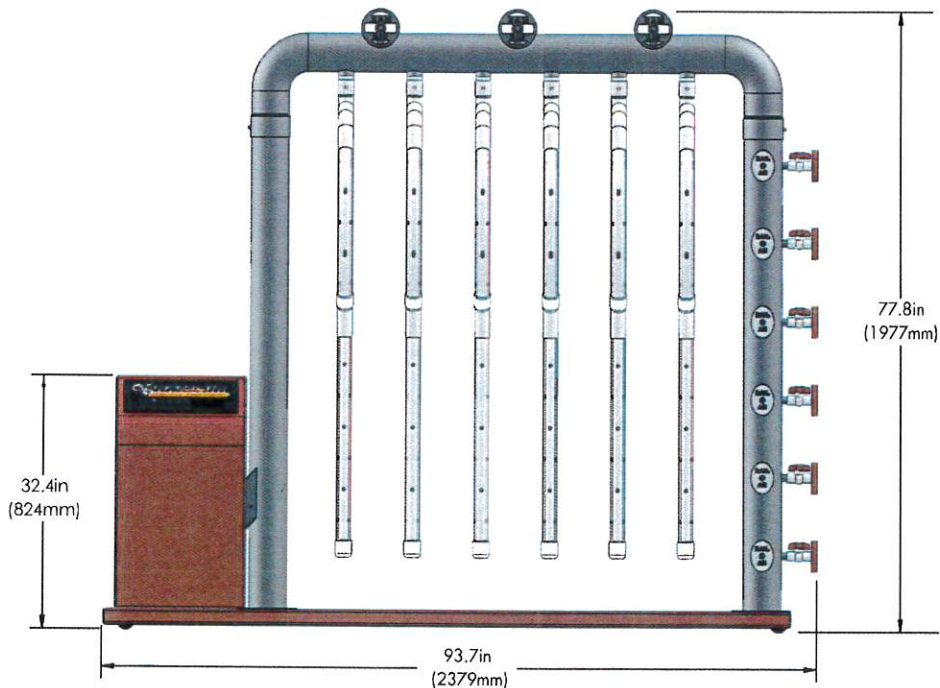
MODEL TG-6, TG-6H

105° F

	TG-6	TG-6H
Max Number of Gear Sets	6	
Number of Accessory Drying Ports	18	
Machine Dimensions (WxDxH)	93.7 x 28 x 77.8 in (2379 x 711 x 1977 mm)	
Machine Weight	364 lbs (165.1 kg)	372 lbs (168.7 kg)
Construction Material	stainless steel/12 gauge steel/powder coated paint	
Caster Type	360° swivel	
Motor Power	1 HP	
Motor Speed	3450 rpm	
Air Flow	800 cfm	
Available Voltages (Volts/Hertz/Phase)	120/60/1	220/60/1 (208/60/3 upon request)
Breaker Size Required	15 Amp	20 Amp
Fan Diameter	10-5/8 inch (270 mm)	
Fan Wheel Bore	5/8 inch (16 mm)	
Max Temperature	N/A	105° F
Control Type	Touchscreen	



Specifications subject to change without notice. Please visit www.ramairgeardryer.com or contact Ram Air for most current specifications.



QUESTIONS? CONTACT US. 888-393-3379 | www.ramairgeardryer.com



Equipment Company, Inc.

45 Priscilla Lane
603-641-9487
FAX: 603-644-0498

Auburn, NH 03032
1-800-258-3570
sales@decequip.com

Quotation

Adam Maciaszczyk

SOLD TO:	A/C #	Delivery To:
Name:	Londonderry FD	Name: same
Address:	280 Mammoth Rd	Address:
City, State, Zip:	Londonderry, NH	City, State, Zip:
Contact:	Don Waldron	Contact:
Phone:	603-432-1124	Phone:
Fax:	dwaldron@londonerrynh.org	Fax:

see item 5 on reverse side

DATE	FOB	VIA	REQUESTED DEL DATE	TERMS
10/9/2019	factory	best way	as agreed	20% dep/bal COD

QTY	Description	UNIT PRICE	AMOUNT
1	UNIMAC UWT065D40LX - 5 speed Washer - Extractor 65-70 pound capacity, UniLinc programmable computer, 100 G-force, 9.61 cubic foot cylinder, 208/60/3/1 phase, 15/20 amp circuit breaker, 3 wire, 5HP 34.12"W x 49.83"D x 64.43"H, net weight 1,230 pounds. No Base frame needed. Stainless Steel Construction • Viton basket seals • Heavy Duty Cylinder	\$ 13,041.00	\$ 13,041.00
1	Chemical Injection pumps	\$ 650.00	\$ 650.00
2	"TURNOUT" detergent for fireman PPE Gear washing (2 gallons per case)	\$ 34.32	\$ 68.64
4	"Laundry-San" sanitizer for fireman PPE gear	\$ 34.32	\$ 137.28
1	Chemical system installation	\$ 625.00	\$ 625.00
1	FireLinc software package: includes tablet, barcode scanner and all accessory Firelinc and chemical installation Factory freight, delivery and set up		\$ 2,095.00 \$ 600.00 \$ 950.00
	Total		\$ 18,166.92

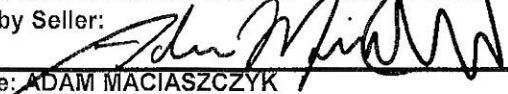
Daniels Equipment Company delivery responsibilities: delivery to job site, uncrating, rigging into position, leveling and mounting to the customer's existing concrete floor using industry Hilti anchor bolts and grout. Any required removal and disposal of old equipment if needed Upon completion of below mechanicals, DEC chemical and FireLinc specialist to perform full installation of FireLinc system, software as well as chemical pumps, full programming and set up also included

Customer Responsibilities:
Safe and clear access into/out of facility and/or room(s); integrity of the floor, ALL FINAL plumbing and electrical connections, including needed power for chemical pumps, Firelinc tablet, and scanner, as well as providing all required Wifi needed by DEC for system install including site survey questionnaire as provided by Adam M.

Quote valid for: 30 days Prepared by: AM See Reverse Page for Signatures, terms and conditions

THE TERMS AND CONDITIONS OF THE REVERSE SIDE ARE INCORPORATED INTO THE TERMS OF THIS AGREEMENT

Purchaser:
By: _____
Print Name: _____
Title: _____

Accepted by Seller:
By: 
Print Name: ADAM MACIASZCZYK
Title: SALES AND OZONE SPECIALIST

Pricing includes all manufacturer rebates

All specifications subject to manufacturers updates

1 Invoice(s); Late Charges. Individual items may be delivered and invoiced separately and payment shall be made for each individual item in accordance with the particular invoice, unless financing is specified as below. Time of payment for each item is of the essence of this Agreement. LATE CHARGES ON ANY OVERDUE ACCOUNT SHALL BE PAID AT 1-1/2% PER MONTH OR THE HIGHEST AMOUNT PERMITTED BY APPLICABLE LAW, WHICHEVER IS LESS.

2 Transfer of Title; Lien; Risk of Loss. Title to the equipment shall remain in Seller until Purchaser has paid in full for the equipment and any additional charges provided herein. Should Purchaser default in payment of the purchase price, or any part thereof, or any additional charges as specified herein, Purchaser authorizes seller to remove the equipment from Purchaser's premises, free of any lien, claim, or interest of Purchaser or any other creditor of Purchaser. Any such removal by Seller shall not be deemed a waiver of Seller's right to damages, and Seller shall have the right to enforce any other legal or equitable remedy or right. Seller shall not be obligated to restore Purchaser's premises to original condition. Risk of loss or damage to the equipment shall pass to Purchaser upon delivery of the equipment to Purchaser or to a freight carrier at the factory or Seller's place of business for transportation to Purchaser. Purchaser agrees that the equipment shall not, in any event, become part of the real estate and shall at all times remain personal property. Purchaser agrees that it shall not remove the equipment from its Premises without the advance written notice of Seller until the purchase price has been paid in full.

3 Purchase Price; Payment. The purchase price specified on the reverse side includes all manufacturer's rebates, promotion and discounts of any kind, (and applicable freight, storage and handling charges, insurance and taxes.) The purchase price shall be paid as follows:

Deposit upon signing: _____

Due on Delivery: _____

Net 30 days: _____

4 Creation of security interest. To secure performance of all of Purchaser's obligations under this Agreement, Purchaser grants to Seller a security interest in the equipment. Purchaser represents that it is organized under the laws of the State of _____, Purchaser agrees to maintain and protect the collateral by avoiding misuse, abuse, waste and deterioration, except for ordinary wear and tear; to insure the collateral against all expected risks to which it is exposed and those risks designated by Seller, with policies acceptable to Seller and payable to both Purchaser and Seller for so long as any amount remains due and owing from Purchaser to Seller; to keep the collateral at the business address of the Purchaser or such other address as notified to Seller in advance in writing, except for its temporary removal in connection with its ordinary use; and not to sell, transfer or dispose of the collateral or allow it to become subject to any unpaid charge or lien, including tax obligations.

Purchaser represents that there is no security interest or other lien on the collateral, except for the security interest created by this agreement.

The security interest created by this instrument is intended to be and shall be a purchase money security interest under the Uniform Commercial Code and the Seller shall have all rights of a holder of a purchase money security interest under the Uniform Commercial Code and Purchaser agrees to take all action hereafter as may be required to effectuate the terms hereof.

If Purchaser does not make payments in accordance with this Agreement, or fails to perform any obligation with regard to the protection of the collateral, or has made any misrepresentation in this instrument or in any other instrument prepared in connection with this transaction, Purchaser shall be in default, and Seller may repossess and remove the collateral and may resort to all legal and equitable remedies.

5 Delivery. A quoted delivery date is a best estimate and not a guaranteed delivery date. Seller shall have no liability to Purchaser for any alleged damages caused by late delivery. UNDER NO CIRCUMSTANCES WILL SELLER BE RESPONSIBLE FOR OR PURCHASER ENTITLED TO CONSEQUENTIAL OR INCIDENTAL DAMAGES ARISING OUT OF OR OWING TO ANY DELAYS IN DELIVERY WHATSOEVER. Seller shall not be liable for its failure to perform hereunder due to acts of God, public enemy, governmental agency, fires, floods, epidemics, strikes, work stoppages, freight embargoes, disruption of electrical or computer service, weather, war, hostilities, riot, rebellion, transportation delays, material shortage or other delay beyond its control.

6 WARRANTY. ALL EQUIPMENT SOLD HEREUNDER SHALL CARRY ONLY THE MANUFACTURER'S WARRANTY, IF ANY. THERE IS NO OTHER WARRANTY EXPRESS OR IMPLIED, INCLUDING ANY IMPLIED WARRANTY OF MERCHANTABILITY OR FITNESS FOR A PARTICULAR PURPOSE, OR ANY OTHER WARRANTY UNDER THE UNIFORM COMMERCIAL CODE.

7 Taxes. Purchaser shall be responsible for paying all local, state and federal sales, use, property and excise taxes and all other regulatory fees and charges imposed by the applicable governing authority in connection with the sale and use of the equipment hereunder, whether or not included in the purchase price set forth on the reverse side.

8 Disclaimer. This Agreement is a complete and exclusive statement of the understanding of the parties, there are no promises, agreements, covenants or understandings beyond those stated in this Agreement, including the reverse side hereof.

9 Limitation of Damages. In the event of any breach of this contract by Seller, Purchaser shall not be entitled to consequential, punitive, special or incidental damages of any kind.

10 Indemnification. Purchaser agrees to indemnify and hold seller, its agents, employees, representatives, successors and assigns, harmless against loss, claim, liabilities, costs and expenses, including reasonable attorneys' fees, arising out of, in connection with, or resulting from the use, operation or condition of the equipment sold. Purchaser shall provide Seller with prompt notice of any proceeding involving Seller or this indemnification, and shall provide Seller with any documents, including pleadings, related to such proceedings.

11 Governing Law, Jurisdiction and Venue. The validity, interpretation and performance of this Agreement shall be governed by the laws of the State of New Hampshire, including Article 2 of the Uniform Commercial Code as enacted in New Hampshire, without reference to its principles of conflicts of law rules. Any legal action brought by any party shall be instituted in, and be determined only by, the Rockingham County Superior Court in New Hampshire. Purchaser irrevocably consents to jurisdiction and venue of the Rockingham County Superior Court in the state of New Hampshire in connection with any action or proceeding arising out of or related to the transactions contemplated hereby. In the event of a breach of this Agreement by Purchaser, Seller shall be entitled to all costs of collection, including reasonable attorney fees.

12 Severability. If any term or provision of this Agreement is for any reason held to be invalid, illegal or unenforceable in any respect, such term or provision will be enforced to the maximum extent possible, and such invalidity, illegality or unenforceability will not affect any other term or provision of this Agreement. This Agreement will be interpreted and construed as if such severable term or provision, to the extent which it is invalid, illegal or unenforceable, had never been contained in this Agreement, provided that no such severability shall be effective if it materially impairs the intentions of the parties.

CONDITIONS: The price and terms of this Agreement are not subject to verbal changes or other agreements unless approved in writing by the home office of the Seller. Prices are based on costs and conditions existing on date on the reverse side, and are subject to change by the Seller before final acceptance as evidenced by Seller's receipt of this fully executed Agreement. Typographical and stenographic errors are subject to correction. Purchaser assumes liability for patent and copyright infringement when goods are made to Purchaser's specification. Conditions not specifically stated herein shall be governed by established trade customs. Terms inconsistent with those stated herein which may appear on Purchaser's formal order will not be binding on the seller.

Seller's initials: _____

Purchaser's initials: _____

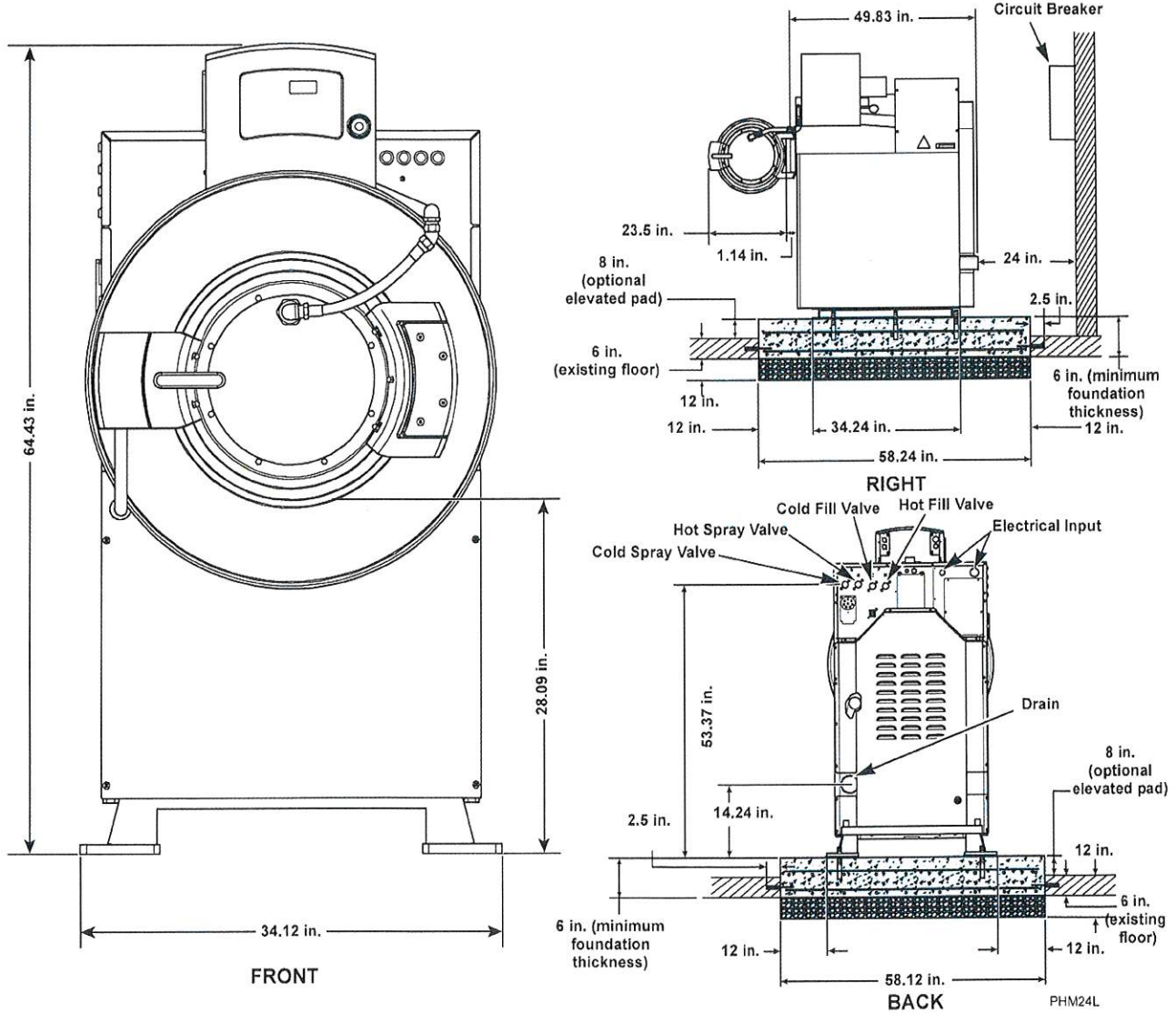
Machine Dimensions and Specifications

Model UWN065T4L



Design 4

Dimensions and Foundation Requirements



Electrical Specifications

Voltage Designation					Non-Electric Heat Machines (Standard)		
Code	Voltage	Cycle	Phase	Wire	Full Load Amps	Breaker (Non Fused)	AWG
X	200-208/220-240	50/60	1/3	2/3	12/7	15	14

Water, Drain and Weight Specifications

Drain: Number (Size)	1 (3 in.)
Water Connections: Number (Size)	4 (Hot/Cold Fill: 0.75 in. Hot/Cold Spray: 0.75 in.)
Weight: Machine (With Shipping Packaging)	1100 lbs. (1150 lbs.)
Side Clearance:	6 in. (minimum) 18 in. (recommended)

Machine Dimensions and Specifications

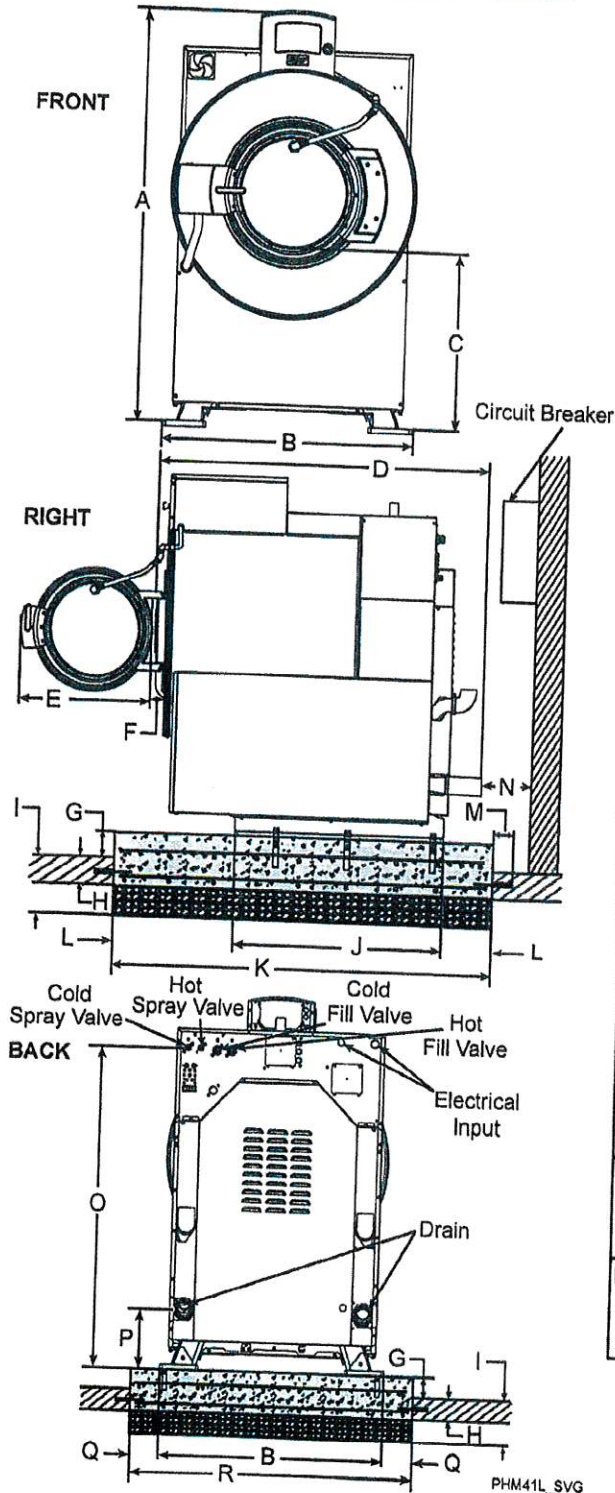
Models UWT085D40V

Equipment specifications are subject to change without notice.



Design 5

Machine Dimensions and Specifications



Dimensions and Foundation Requirements, in. [mm]

A	69.1 [1755]	J	42.2 [1072]
B	40.1 [1019]	K	67.75 [1721]
C	28.8 [732]	L	12 [305]
D	51.2 [1300]	M	2.5 [64]
E	26.81 [681]	N	20 [508]
F	1.41 [36]	O	57.9 [1471]
G*	8 [203]	P	12.3 [312]
H	6 [152]	Q	12 [305]
I	18 [457]	R	65.12 [1654]

*Optional elevated pad

Water, Drain and Weight Specifications

Number of drain outlets	2	
Drain connection size, in.	3	
Number of water inlets	Main fill	2
	Spray rinse	2
Water inlet connection size, in.	Main fill	3/4
	Spray rinse	3/4
Net weight, lbs. [kg]	1670 [757]	
Standard shipping weight, lbs. [kg]	1720 [780]	
Side clearance (minimum), in. [mm]	6 [153]	
Side clearance (recommended), in. [mm]	12 [305]	

Electrical Specifications

Codes		Voltage	Cycle	Phase	Wire	Full Load Amps	Circuit Breaker	AWG	mm ²
Q	Standard	200-	50-	3	3	16	20	12	4
	Electric Heat	240	60			105	110	2	35
N	Standard	440-	50-	3	3	10	15	14	2.5
	Electric Heat	480	60			39	40	8	10
P	Standard	380-	50-	3	3	10	15	14	2.5
	Electric Heat	415	60			35	40	8	10

SECTION 11110**LAUNDRY WASHER-EXTRACTOR, 65 LB. (29.5 KG) CAPACITY****PART 1 GENERAL**

1.01 SECTION INCLUDES:

- A. Automatic laundry washer-extractor for processing water-washed linen items

1.02 SYSTEM DESCRIPTION

A. DESIGN REQUIREMENTS:

1. Construction: 304 or equal stainless steel cylinder, tub and cover panels
2. Input voltage: X: 200-208/220-240/50/60/1 or 3; 2-3 wire plus ground
3. Dry weight capacity: 65 lb. (29.5 kg)
4. Wash cylinder volume: 9.61 cu ft 272125 cu cm) minimum
5. Overall width: 34.12 inches (867 mm) nominal
6. Overall height: 64.63 inches (1642 mm) nominal
7. Overall depth: 49.83 inches (1266 mm) nominal
8. Number and size of water connections: 4 with 3/4 inch (19 mm) NH male connections
9. Number and size of drain outlets: 1 at 3 inch (76 mm)
10. Overflow: Internally plumbed
11. Control system: Programmable microprocessor
12. Cylinder drive: Single motor, 5 hp-inverter driven, capable of 470 RPM

B. PERFORMANCE REQUIREMENTS:

1. Number of selectable wash speeds: 2
2. Number of programmable extract speeds: 1
3. G-force at highest extract speed: 100
4. Chemical supply system
 - a. automatic flushing and connections for 5 external supply lines and control signals for 8 external supplies
 - b. manually filled 5 compartment dry chemical dispensing system (optional - designated by T3L in the model number)
5. Through the door jet-spray rinse system
6. Control system
 - a. Programmable microprocessor; (manual keypad, PDA or laptop PC)
 - b. 41 cycle capacity
 - c. 30 programmable water levels
 - d. Graphic display with words and icons
 - e. Automatic maintenance reminders
 - f. PC software with management reports

- g. Real-time clock allows time/date stamp of 100+ items
 - h. Water monitoring: fill value, slow drain and automatic leak detection system
 - i. Diagnostic capabilities
7. Drain valve automatically opens in event of power failure

1.03 DELIVERY, STORAGE AND HANDLING

A. ACCEPTANCE AT SITE:

- 1. Inspect machine for damage prior to acceptance. If damage is found, follow freight handler's procedure for claims.

B. STORAGE AND PROTECTION

- 1. Machine should be stored in a site protected from weather, direct sunlight and temperature extremes. Do not remove packaging prior to storage.
- 2. If machine is to be stored for an extended period of time, consult manufacturer for special requirements.

1.04 SYSTEM STARTUP AND COMMISSIONING

- A. Machine installation should be inspected by local manufacturer's representative prior to startup and operation. The party installing the machine is responsible for setting the schedule for this inspection.

PART 2 PRODUCTS

2.01 MANUFACTURERS

- A. Alliance Laundry Systems, UniMac, obtain commercial laundry equipment from a single manufacturer

2.02 QUALIFIED MODELS

- A. UniMac models **UWN065T4L** (without soapbox) and **UWN065T3L** (with soap box option [no substitutions])

PART 3 EXECUTION

3.01 INSTALLATION

- A. Refer to and comply with manufacturer's installation instructions. Do not deviate without permission from site owner, architect, general contractor and manufacturer's local representative.